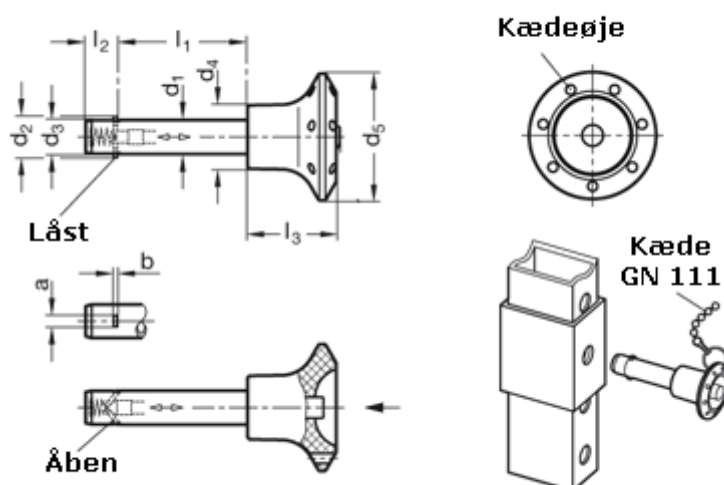


Article number: 201092715  
 Description: E+G Stainless lock pin  
 GN 114.3-16-80

## Measures



a	= 4,8	l1 = 80
b	= 1,2	l2 = 14,2
Clamping force (kN)	= 110	l3 = 32
d1	= 16	
d2	= 19,9	
d3	= 15,9	
d4	= 22	
d5	= 40	